

010-0700  
Light Duty  
Compartment Latch



This handle was designed for small compartment, access doors and tool boxes where 1/4 turn cam locking is desired. The non-locking version features a detent function in both the latched and unlatched positions.



TriMark. Interactive. Product. Selector

**Global Locations:**

**TriMark Corporation**  
500 Bailey Avenue  
P.O. Box 350  
New Hampton, Iowa 50659  
United States  
Tel: 641-394-3188  
Fax: 641-394-2392  
1-800-447-0343  
www.trimarkcorp.com

**TriMark Europe**  
Unit 3 Sence Court  
Bardon Hill  
Coalville  
Leicestershire LE67 1GZ  
United Kingdom  
Tel: +44(0)1530 512460  
Fax: +44(0)1530 512461  
www.trimarkeu.com

**TriMark (Xuzhou)**  
Building A5 Jingwu Road  
Xuzhou Economic  
Development Zone  
Xuzhou, Jiangsu  
221004 PR China  
Tel: +86 516 8773 0018  
Fax: +86 516 8773 0058  
www.trimarkcn.com



TriMark



TriMark Corporation



TriMark Corporation

11/24-10

### AVAILABLE:

- Locking configuration: keys furnished with assembly
- Non-locking configuration: detent in latched and unlatched positions
- 90° rotation

### MATERIAL:

- Handle: die cast zinc alloy
- Cam: zinc plated steel

### FINISH

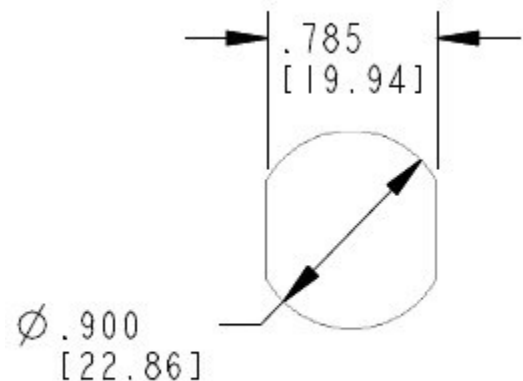
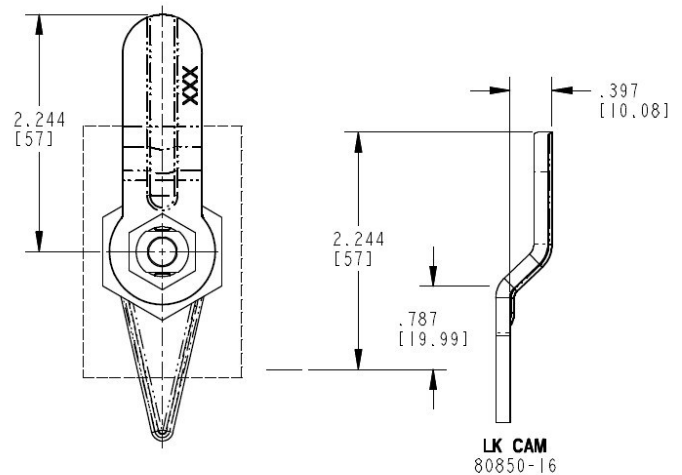
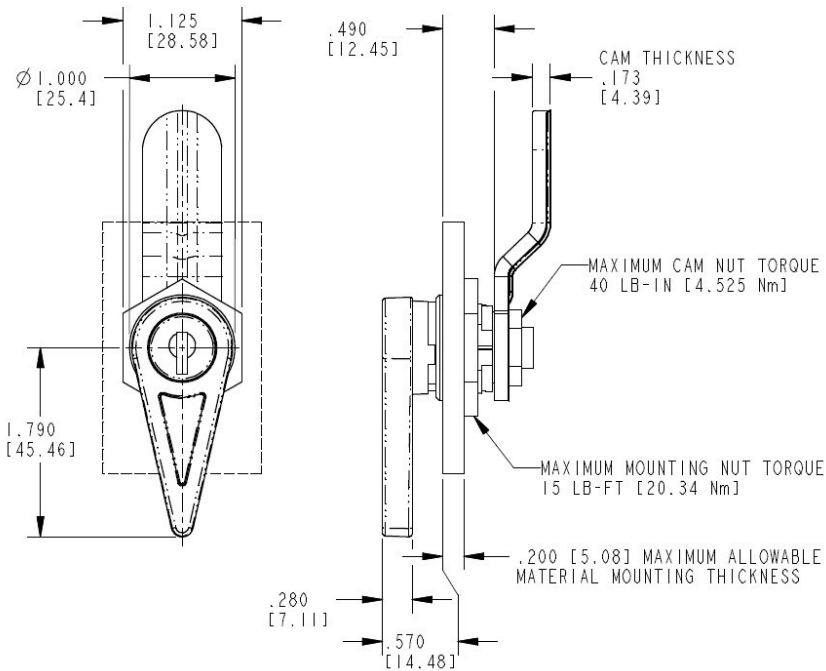
- Copper-nickel-chrome plated
- Black powder coated

### INSTALLATION:

- Supplied either fully assembled or bagged with cam and nuts packaged loose
- Removal of cam and 7/8-28 mounting nut is required for installation. IMPORTANT: Note maximum nut torque specifications below.

Individual part dimensions are for reference only. Refer to individual part drawings for complete dimensions, specifications, and installation procedures. Engineering assistance and application drawings are available.

For more information visit  
[www.trimarkcorp.com](http://www.trimarkcorp.com)



RECOMMENDED CUTOUT